

**IN THE UNITED STATES DISTRICT COURT
FOR THE NORTHERN DISTRICT OF ILLINOIS
EASTERN DIVISION**

SOLAWAVE INC.,

Plaintiff,

v.

THE PARTNERSHIPS AND
UNINCORPORATED ASSOCIATIONS
IDENTIFIED ON SCHEDULE “A,”

Defendants.

Case No. 24-cv-13029

COMPLAINT

Plaintiff Solawave Inc. (“Plaintiff”) hereby brings the present action against the Partnerships and Unincorporated Associations identified on Schedule A attached hereto (collectively, “Defendants”) and alleges as follows:

I. JURISDICTION AND VENUE

1. This Court has original subject matter jurisdiction over the claims in this action pursuant to the provisions of the Patent Act, 35 U.S.C. § 1, *et seq.*, 28 U.S.C. § 1338(a)-(b) and 28 U.S.C. § 1331.

2. Venue is proper in this Court pursuant to 28 U.S.C. § 1391, and this Court may properly exercise personal jurisdiction over Defendants since each of the Defendants directly targets business activities toward consumers in the United States, including Illinois, through at least the fully interactive, e-commerce stores¹ operating under the seller aliases identified in Schedule A attached hereto (the “Seller Aliases”). Specifically, Defendants have targeted sales to

¹ The e-commerce store urls are listed on Schedule A hereto under the Online Marketplaces.

Illinois residents by setting up and operating e-commerce stores that target United States consumers using one or more Seller Aliases, offer shipping to the United States, including Illinois, accept payment in U.S. dollars and/or funds from U.S. bank accounts, and, on information and belief, have sold products featuring Plaintiff's patented design to residents of Illinois. Each of the Defendants is committing tortious acts in Illinois, is engaging in interstate commerce, and has wrongfully caused Plaintiff substantial injury in the State of Illinois.

II. INTRODUCTION

3. This action has been filed by Plaintiff to combat e-commerce store operators who trade upon Plaintiff's reputation and goodwill by making, using, offering for sale, selling and/or importing into the United States for subsequent sale or use the same unauthorized and unlicensed product, namely, the facial wand shown in **Exhibit 1**, that infringes Plaintiff's patented design, U.S. Patent No. D1,024,350 (the "Infringing Products"). Defendants create e-commerce stores operating under one or more Seller Aliases that are making, using, offering for sale, selling, and/or importing into the United States for subsequent sale or use Infringing Products to unknowing consumers. E-commerce stores operating under the Seller Aliases share unique identifiers establishing a logical relationship between them, suggesting that Defendants' operation arises out of the same transaction, occurrence, or series of transactions or occurrences. Defendants attempt to avoid and mitigate liability by operating under one or more Seller Aliases to conceal both their identities and the full scope and interworking of their operation. Plaintiff has filed this action to combat Defendants' infringement of its patented design, as well as to protect unknowing consumers from purchasing Infringing Products over the Internet. Plaintiff has been and continues to be irreparably damaged from the loss of its lawful patent rights to exclude others from making,

using, selling, offering for sale, and importing its patented design as a result of Defendants' actions and seeks injunctive and monetary relief.

III. THE PARTIES

Plaintiff Solawave Inc.

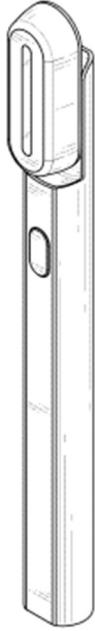
4. Plaintiff Solawave Inc. is a Delaware corporation having its principal place of business in Los Angeles, California.


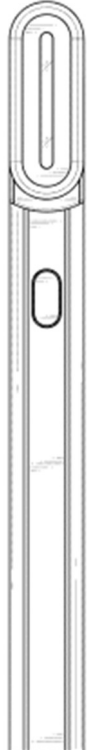
5. Plaintiff has been a leading innovator in the design and manufacture of innovative skin care tools and topical products. Products produced and sold by Plaintiff include topical serums, light therapy face masks, hydrating sheet masks, moisturizers, facial wands, and pimple treatment devices (collectively, the "Solawave Products"). Solawave Products have become enormously popular, driven by Plaintiff's arduous quality standards and innovative design. Among the purchasing public, genuine Solawave Products are instantly recognizable as such. In the United States and around the world, Plaintiff's brand has come to symbolize high quality, and Solawave Products are among the most recognizable, high-quality products in the skincare industry.



6. Solawave Products are distributed and sold online to consumers through retailers throughout the United States, including through authorized retailers in Illinois, the official solawave.co website, and various authorized retail channels including Amazon and Ulta Beauty.




7. Solawave Products are known for their distinctive patented designs. These designs are broadly recognized by consumers. Solawave Products, namely, facial wands, styled after these designs are associated with the quality and innovation that the public has come to expect from Solawave Products. Plaintiff uses these designs in connection with its Solawave Products, including, but not limited to, the patented design shown in the below table, herein referred to as


the “Solawave Design.” Solawave Products, including those which embody the Solawave Design, are marked in compliance with 35 U.S.C. § 287(a).

Patent Number	Claim	Issue Date
D1,024,350	 <p data-bbox="760 1098 824 1125">FIG. 1</p>	April 23, 2024

Patent Number	Claim	Issue Date
	 <p data-bbox="763 924 828 955">FIG. 2</p>  <p data-bbox="763 1764 828 1795">FIG. 3</p>	

Patent Number	Claim	Issue Date
	 <p data-bbox="773 995 836 1020">FIG. 4</p>  <p data-bbox="773 1789 836 1814">FIG. 5</p>	

Patent Number	Claim	Issue Date
	 <p data-bbox="760 987 823 1012">FIG. 6</p>  <p data-bbox="576 1249 649 1274">FIG. 7</p>  <p data-bbox="941 1249 1015 1274">FIG. 8</p>	

Patent Number	Claim	Issue Date
	 <p data-bbox="755 869 818 894">FIG. 9</p>	

8. Plaintiff is the lawful assignee of all right, title, and interest in and to the Solawave Design. The D1,024,350 patent for the Solawave Design was lawfully issued on April 23, 2024, with Andrew Silberstein as the named inventor. Attached hereto as **Exhibit 2** is a true and correct copy of the United States Patent for the Solawave Design.

The Defendants

9. Defendants are individuals and business entities of unknown makeup who own and/or operate one or more of the e-commerce stores under at least the Seller Aliases identified on Schedule A and/or other seller aliases not yet known to Plaintiff. On information and belief, Defendants reside and/or operate in the People's Republic of China or other foreign jurisdictions with lax intellectual property enforcement systems, or redistribute products from the same or similar sources in those locations. Defendants have the capacity to be sued pursuant to Federal Rule of Civil Procedure 17(b).

10. On information and belief, Defendants either individually or jointly, operate one or more e-commerce stores under the Seller Aliases listed in Schedule A attached hereto. Tactics used by Defendants to conceal their identities and the full scope of their operation make it virtually impossible for Plaintiff to discover Defendants' true identities and the exact interworking of their network. If Defendants provide additional credible information regarding their identities, Plaintiff will take appropriate steps to amend the Complaint.

IV. DEFENDANTS' UNLAWFUL CONDUCT

11. In recent years, Plaintiff has identified numerous fully interactive, e-commerce stores, including those operating under the Seller Aliases, which were offering for sale and/or selling Infringing Products on online marketplace platforms such as Amazon, eBay, AliExpress, Alibaba, Wish.com, Walmart, Etsy, Temu, TikTok, and DHgate, including the e-commerce stores operating under the Seller Aliases. The Seller Aliases target consumers in this Judicial District and throughout the United States. According to a U.S. Customs and Border Protection (CBP) Report, in 2021, CBP made over 27,000 seizures of goods with intellectual property rights (IPR) violations totaling over \$3.3 billion, an increase of \$2.0 billion from 2020.² Of the 27,000 in total IPR seizures, over 24,000 came through international mail and express courier services (as opposed to containers), most of which originated from China and Hong Kong.³

12. Third party service providers like those used by Defendants do not adequately subject new sellers to verification and confirmation of their identities, allowing infringers to "routinely use false or inaccurate names and addresses when registering with these e-commerce

² See *Intellectual Property Rights Seizure Statistics, Fiscal Year 2021*, U.S. Customs and Border Protection.

³ *Id.*

platforms.”⁴ Infringers hedge against the risk of being caught and having their websites taken down from an e-commerce platform by preemptively establishing multiple virtual storefronts.⁵ Since platforms generally do not require a seller on a third-party marketplace to identify the underlying business entity, infringers can have many different profiles that can appear unrelated even though they are commonly owned and operated.⁶ Further, “E-commerce platforms create bureaucratic or technical hurdles in helping brand owners to locate or identify sources of [infringement].”⁷

13. Defendants have targeted sales to Illinois residents by setting up and operating e-commerce stores that target United States consumers using one or more Seller Aliases, offer shipping to the United States, including Illinois, accept payment in U.S. dollars and/or funds from U.S. bank accounts, and, on information and belief, have sold Infringing Products to residents of Illinois.

14. Defendants concurrently employ and benefit from substantially similar advertising and marketing strategies. For example, Defendants facilitate sales by designing e-commerce stores operating under the Seller Aliases so that they appear to unknowing consumers to be authorized online retailers, outlet stores, or wholesalers. E-commerce stores operating under the Seller Aliases appear sophisticated and accept payment in U.S. dollars and/or funds from U.S. bank accounts via credit cards, Alipay, Amazon Pay, and/or PayPal. E-commerce stores operating under

⁴ See Daniel C.K. Chow, *Alibaba, Amazon, and Counterfeiting in the Age of the Internet*, 40 NW. J. INT’L L. & BUS. 157, 186 (2020); see also report on “Combating Trafficking in Counterfeit and Pirated Goods” prepared by the U.S. Department of Homeland Security’s Office of Strategy, Policy, and Plans (Jan. 24, 2020), and finding that on “at least some e-commerce platforms, little identifying information is necessary for a counterfeiter to begin selling” and recommending that “[s]ignificantly enhanced vetting of third-party sellers” is necessary.

⁵ *Id.* at p. 22.

⁶ *Id.* at p. 39.

⁷ Chow, *supra* note 3, at p. 186-87.

the Seller Aliases often include content and images that make it very difficult for consumers to distinguish such stores from an authorized retailer. Plaintiff has not licensed or authorized Defendants to use the Solawave Design, and none of the Defendants are authorized retailers of genuine Solawave Products.

15. E-commerce store operators like Defendants commonly engage in fraudulent conduct when registering the Seller Aliases by providing false, misleading and/or incomplete information to e-commerce platforms to prevent discovery of their true identities and the scope of their e-commerce operation.

16. E-commerce store operators like Defendants regularly register or acquire new seller aliases for the purpose of offering for sale and selling Infringing Products. Such seller alias registration patterns are one of many common tactics used by e-commerce store operators like Defendants to conceal their identities and the full scope and interworking of their operation, and to avoid being shut down.

17. Even though Defendants operate under multiple fictitious aliases, the e-commerce stores operating under the Seller Aliases often share unique identifiers, such as templates with common design elements that intentionally omit any contact information or other information for identifying Defendants or other Seller Aliases they operate or use. E-commerce stores operating under the Seller Aliases include other notable common features, such as use of the same registration patterns, accepted payment methods, check-out methods, keywords, advertising tactics, similarities in price and quantities, the same incorrect grammar and misspellings, and/or the use of the same text and images. Additionally, Infringing Products for sale by the Seller Aliases bear similar irregularities and indicia of being unauthorized to one another, suggesting that the

Infringing Products were manufactured by and come from a common source and that Defendants are interrelated.

18. E-commerce store operators like Defendants are in constant communication with each other and regularly participate in QQ.com chat rooms and through websites such as sellerdefense.cn and kuajingvs.com regarding tactics for operating multiple accounts, evading detection, pending litigation, and potential new lawsuits.

19. Infringers such as Defendants typically operate under multiple seller aliases and payment accounts so that they can continue operation in spite of Plaintiff's enforcement. E-commerce store operators like Defendants maintain off-shore bank accounts and regularly move funds from their financial accounts to off-shore accounts outside the jurisdiction of this Court to avoid payment of any monetary judgment awarded to Plaintiff. Indeed, analysis of financial account transaction logs from previous similar cases indicates that off-shore infringers regularly move funds from U.S.-based financial accounts to off-shore accounts outside the jurisdiction of this Court.

20. Defendants are working to knowingly and willfully import, distribute, offer for sale, and sell Infringing Products in the same transaction, occurrence, or series of transactions or occurrences. Defendants, without any authorization or license from Plaintiff, have knowingly and willfully offered for sale, sold, and/or imported into the United States for subsequent resale or use the same product that infringes directly and/or indirectly the Solawave Design. Each e-commerce store operating under the Seller Aliases offers shipping to the United States, including Illinois, and, on information and belief, each Defendant has sold Infringing Products into the United States and Illinois over the Internet.

21. Defendants' infringement of the Solawave Design in the making, using, offering for sale, selling, and/or importing into the United States for subsequent sale or use of the Infringing Products was willful.

22. Defendants' infringement of the Solawave Design in connection with the making, using, offering for sale, selling, and/or importing into the United States for subsequent sale or use of the Infringing Products, including the making, using, offering for sale, selling, and/or importing into the United States for subsequent sale or use of Infringing Products into Illinois, is irreparably harming Plaintiff.

COUNT I
INFRINGEMENT OF UNITED STATES DESIGN PATENT NO. D1,024,350
(35 U.S.C. § 271)

23. Plaintiff hereby re-alleges and incorporates by reference the allegations set forth in the preceding paragraphs.

24. Defendants are making, using, offering for sale, selling, and/or importing into the United States for subsequent sale or use Infringing Products that infringe directly and/or indirectly the ornamental design claimed in the Solawave Design.

25. Defendants have infringed the Solawave Design through the aforesaid acts and will continue to do so unless enjoined by this Court. Defendants' wrongful conduct has caused Plaintiff to suffer irreparable harm resulting from the loss of its lawful patent rights to exclude others from making, using, selling, offering for sale, and importing the patented invention. Plaintiff is entitled to injunctive relief pursuant to 35 U.S.C. § 283.

26. Plaintiff is entitled to recover damages adequate to compensate for the infringement, including Defendants' profits pursuant to 35 U.S.C. § 289. Plaintiff is entitled to recover any other damages as appropriate pursuant to 35 U.S.C. § 284.

PRAYER FOR RELIEF

WHEREFORE, Plaintiff prays for judgment against Defendants as follows:

- 1) That Defendants, their affiliates, officers, agents, servants, employees, attorneys, confederates, and all persons acting for, with, by, through, under or in active concert with them be temporarily, preliminarily, and permanently enjoined and restrained from:
 - a. making, using, offering for sale, selling, and/or importing into the United States for subsequent sale or use the Infringing Products;
 - b. aiding, abetting, contributing to, or otherwise assisting anyone in making, using, offering for sale, selling, and/or importing into the United States for subsequent sale or use the Infringing Products; and
 - c. effecting assignments or transfers, forming new entities or associations or utilizing any other device for the purpose of circumventing or otherwise avoiding the prohibitions set forth in Subparagraphs (a) and (b).
- 2) Entry of an Order that, upon Plaintiff's request, those with notice of the injunction, including, without limitation, any online marketplace platforms such as eBay, AliExpress, Alibaba, Amazon, Wish.com, Walmart, Etsy, Temu, TikTok, and DHgate (collectively, the "Third Party Providers") shall disable and cease displaying any advertisements used by or associated with Defendants in connection with the sale of the Infringing Products;
- 3) That Plaintiff be awarded such damages as it shall prove at trial against Defendants that are adequate to compensate Plaintiff for Defendants' infringement of the Solawave Design, but in no event less than a reasonable royalty for the use made of the invention by the Defendants, together with interest and costs, pursuant to 35 U.S.C. § 284;

- 4) That the amount of damages awarded to Plaintiff to compensate Plaintiff for infringement of the Solawave Design be increased by three times the amount thereof, as provided by 35 U.S.C. § 284;
- 5) In the alternative, that Plaintiff be awarded all profits realized by Defendants from Defendants' infringement of the Solawave Design, pursuant to 35 U.S.C. § 289;
- 6) That Plaintiff be awarded its reasonable attorneys' fees and costs; and
- 7) Award any and all other relief that this Court deems just and proper.

Dated this 18th day of December 2024.

Respectfully submitted,

/s/ Justin R. Gaudio

Amy C. Ziegler
Justin R. Gaudio
Justin T. Joseph
Lucas A. Peterson
Greer, Burns & Crain, Ltd.
200 West Madison St., Suite 2100
Chicago, Illinois 60606
312.360.0080
312.360.9315 (facsimile)
aziegler@gbc.law
jgaudio@gbc.law
jjoseph@gbc.law
lpeterson@gbc.law

Counsel for Plaintiff Solawave Inc.